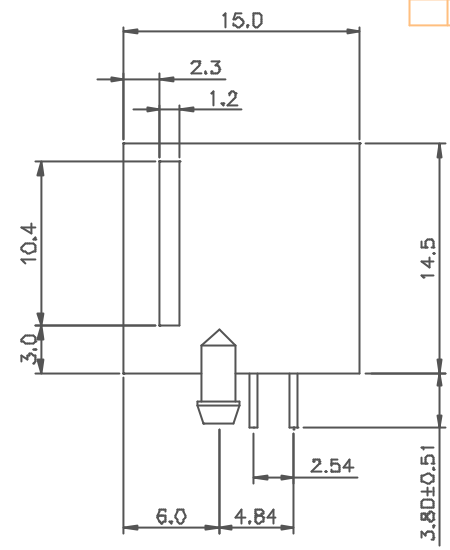
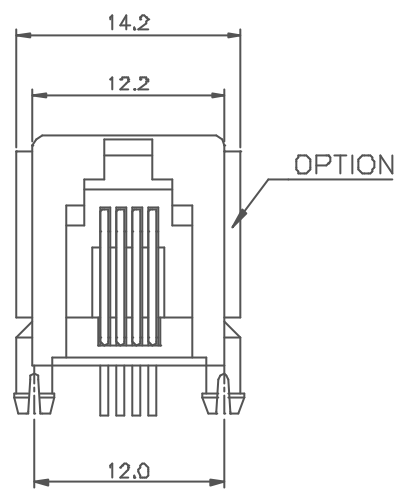


REVISION RECORD				
REV	ECO	DESCRIPTION	DRFT	CH-KD



NOTES:

ELECTRICAL:

1. VOLTAGE RATING : 125 VAC RMS.
2. CURRENT RATING : 1.5 AMP.
3. CONTACT RESISTANCE : 30 MILLIOHMS MAX.
4. INSULATION RESISTANCE: 1000 MEGOHMS MIN @ 500 VDC.
5. DIELECTRIC STRENGTH : 1000 VAC RMS 60Hz, 1MIN.

MECHANICAL:

1. HOUSING MATERIAL : GLASS FILLED POLYESTER UL94V-0.
2. CONTACT MATERIAL : PHOSPHOR BRONZE $\phi 0.46\text{mm}$.
3. PLATING : GOLD PLATING OVER NICKEL.
4. OPERATING LIFE : 750 CYCLES MIN.
5. PCB RETENTION PRE-SOLDER : 1 LB MIN.
6. PCB RETENTION POST-SOLDER: 10 LBS MIN.

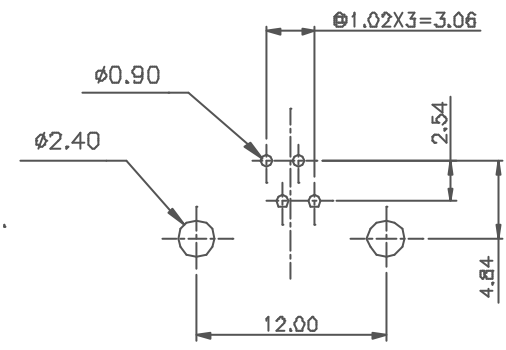
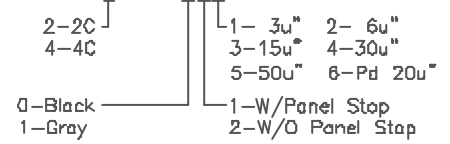
ENVIRONMENTAL:

1. STORAGE : -40°C TO $+85^{\circ}\text{C}$.
2. OPERATION: 0°C TO 70°C .

MATES WITH MODULAR PLUG CONFORMING TO

FCC PART 68, SUBPART F.

PART NUMBER: E554X-HOLXXX



PC Board Layout

DETAIL LIST	DIM (INCH) TOLERANCES EXCEPT AS NOTED	DFTO: YNC DATE: 7/28/98* CHKD: JACK KEY DATE: 7/31/98* WFO: LMJ DATE: 7/31/98* APPVL: LMJ DATE: 7/31/98*	FULL RISE ELECTRONIC CO., LTD	
	NM .0 ± 0.2 ± .00 ± 0.15 ± .000 ± 0.075 ±	MATERIAL : QTY : FINISH : SCALE : 3 : 1	TITLE: SIDE ENTRY L/P PCB JACK (外六内四)	
	ANGLES ± 0.5 THIRD ANGLE PROJECTION	DRAWING NO. CE553A08 /PART NO. SEE NOTE	SIZE: A3 REV: 0	SHEET: 0F
	DID NOT SCALE DRAWING		SHEET: 0F	

